

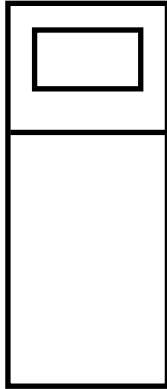
Flexible Bed Arrangements

SMALL ROOM

Either

2
SINGLE
Beds

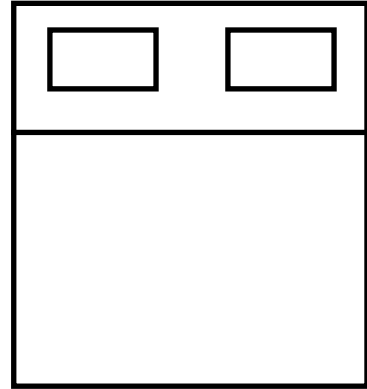
100 cm
X
200 cm
Each



Or

1
KING
SIZE
Bed

200cm
X
200 cm

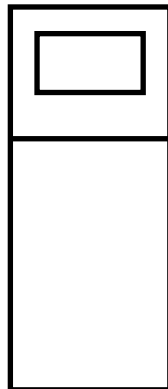


BIG ROOM

Either

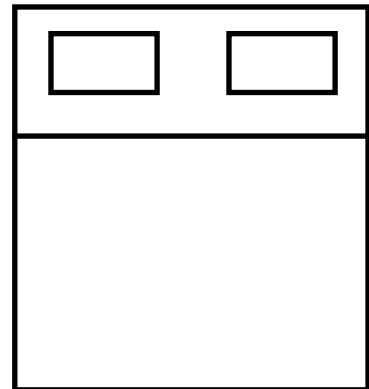
2
SINGLE
Beds
upstairs

100 cm
X
200 cm



And
1
KING
SIZE
Bed
downstairs

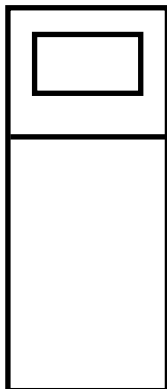
200cm
X
200 cm



Or

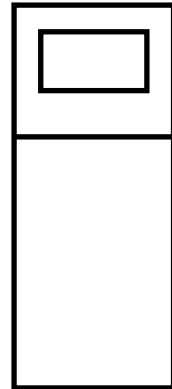
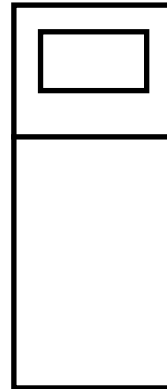
2
SINGLE
Beds
upstairs

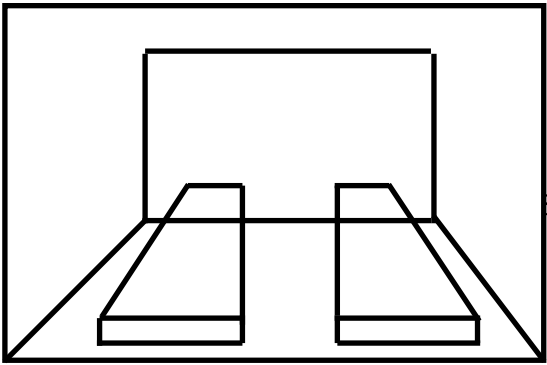
100 cm
X
200 cm



And
2
SINGLE
Beds
Downstairs

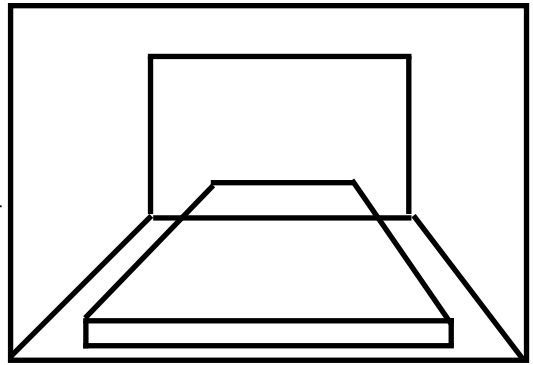
100 cm
X
200 cm





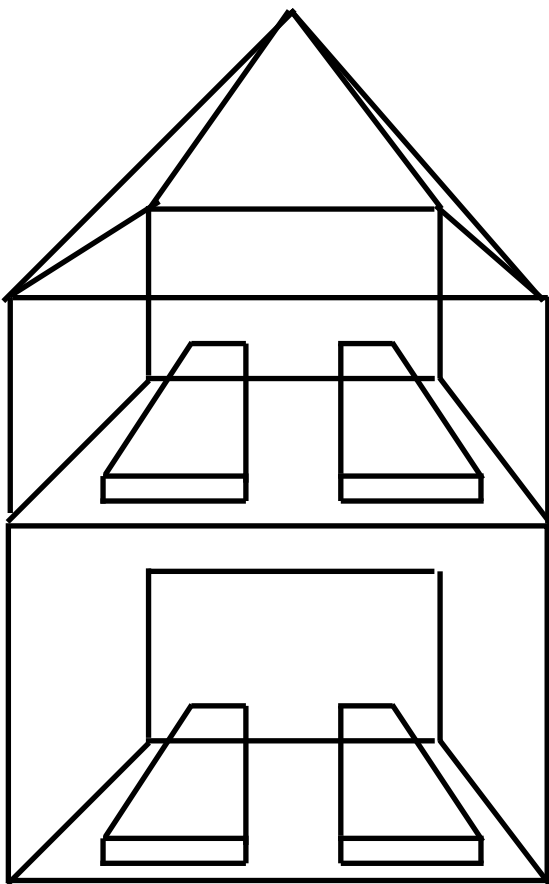
Option A

Square Room +



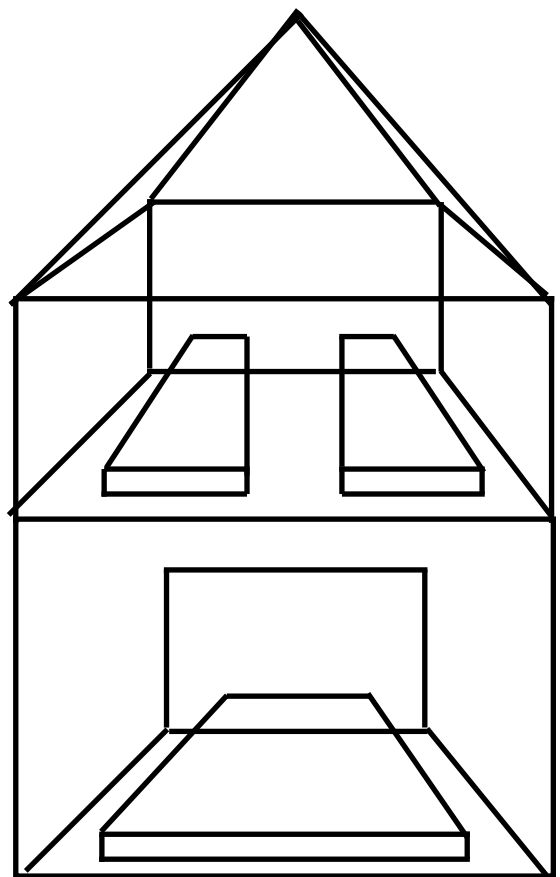
Option B

BIG ROOMS (Nature Room + Color Room)



Option A

Option A
or
Option B



Option B

On the top floor of the Big Rooms, the beds cannot be combined and remain single.

Overview of the Hotel

The hotel consists of **two buildings** and offers a total of **five guest rooms**. It is well suited for group stays, retreats, and workshops, with flexible sleeping arrangements and shared facilities designed for comfort in a beachside setting.

Sleeping Capacity & Room Configuration

When all rooms are arranged with **single beds only** (shared occupancy), the hotel can accommodate **up to 14 guests**.

The hotel includes:

- **3 Small Rooms**
Perfect Room: Square Room and Mosaic Room
- **2 Big Rooms: Nature Room and Color Room**

Small Rooms

The three small rooms can be configured with:

- **Two single beds, or One double bed**

Big Rooms (with Mezzanine / Loft)

Each of the two big rooms features:

- A **mezzanine (loft)** with **two single beds**
- A **main floor bed** that can be arranged as:
 - One double bed, or
 - Two single beds

This layout makes the big rooms ideal for shared occupancy or small families/groups.

Bathrooms

- All guest rooms have a **spacious private bathroom** with a **toilet and shower**
- In the **Color Room**, the toilet is **separate** from the shower area for added convenience

Facilitator / Staff Accommodation (On-Site)

There are **two additional rooms** located on the ground floor of the owners' private house, which is also on-site. These rooms are available for **facilitators during workshops or retreats**.

Room 1:

- Double bed
- Ensuite bathroom with toilet

Room 2:

- Two single beds
- Separate toilet and shower located nearby

Comfort & Climate

- All beds are equipped with **standing fans**, which can be placed inside the **mosquito nets**
- The beachfront location provides **excellent natural ventilation**, helping keep rooms cool and comfortable

Connectivity

- **Free Wi-Fi** is available throughout the hotel area

Food & Beverage

- The hotel has an **on-site restaurant and bar**, making it easy for guests and groups to dine together without leaving the property